

## Levelling feet

Steel sheet metal, zinc plated / with fixing lug

### SPECIFICATION

#### Type (Base plate)

- Type **A1**: Steel, zinc plated, rubber, inlaid black

#### Version

- Version **S**: without nut, external hexagon at the bottom
- Version **SK**: with nut, external hexagon at the bottom
- Version **U**: without nut, internal hexagon socket at the top, wrench flat at the bottom
- Version **UK**: with nut, internal hexagon socket at the top, wrench flat at the bottom
- Version **X**: with female thread, external hexagon

Base plate / lug, sheet metal  
Steel, zinc plated, blue passivated

Threaded stem  
Steel, zinc plated, blue passivated

Hexagon nut ISO 4032  
Steel, zinc plated, blue passivated

Rubber underlay, inlaid  
black, Perbunan® (NBR) 80±5 Shore A

### INFORMATION

Levelling feet GN 32 will be delivered mounted and are not removable.

### TECHNICAL INFORMATION

- Elastomer characteristics (see page A32)

### LOAD RATING OF LEVELLING FEET

#### Information

The static load bearing capacity given in the table rests on a test series in which the load has been applied perpendicular to the base plate. For the values given in the table, the strain relief may result in minor deformations of the base plate.

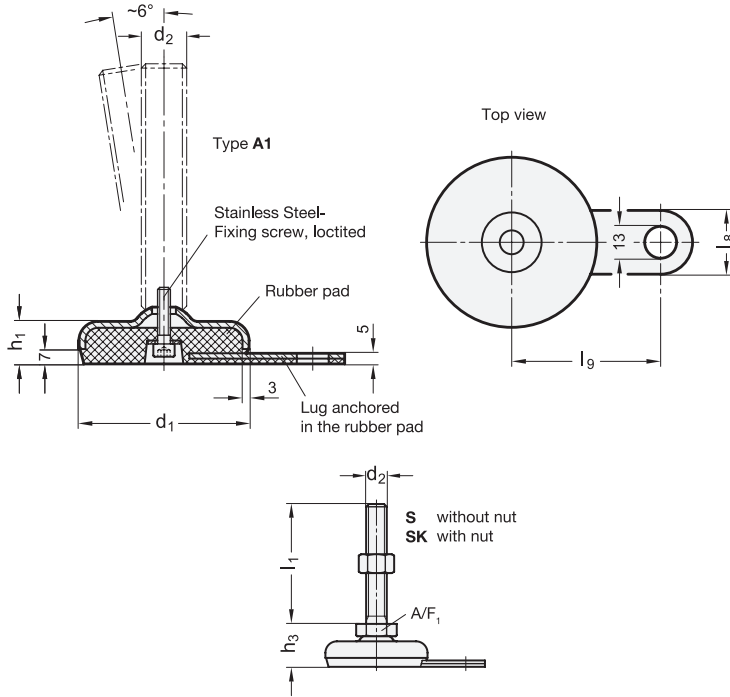
Bending and buckling stress which often occurs in practice results in a lower load bearing capacity of the adjustment spindle and may have to be taken into account.

Also, the spindle strength is assumed to be  $\geq 500 \text{ N/mm}^2$ .

The details given on strength are nonbinding guide values without any liability. In general, they do not constitute a warranty of quality.

The user must determine from case to case if a product is suitable for the intended purpose or use. Environmental factors may influence the stated values.





\* Complete with version of the Levelling feet (External hexagon at the bottom)

S without nut  
SK with nut

GN 32-S/SK

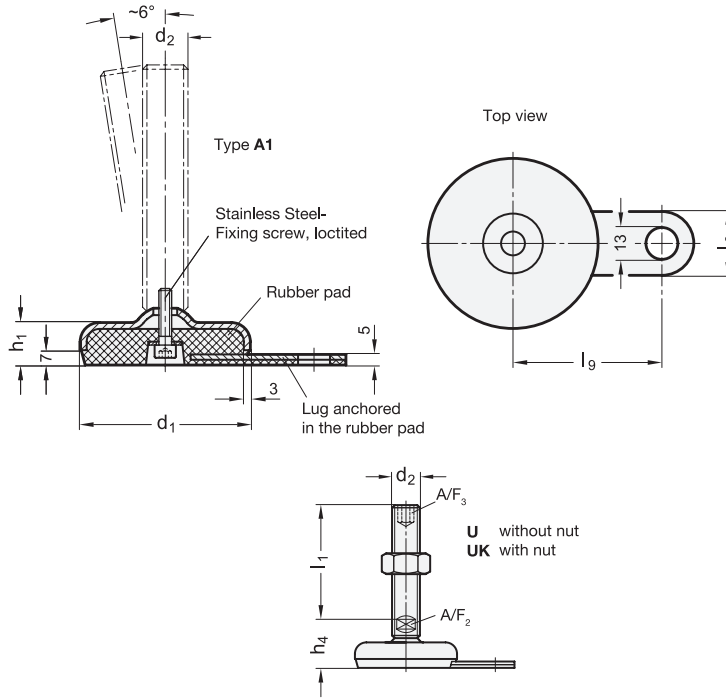
Description	d1	d2	l1	h1	h3	l8	l9	A/F 1	Static load in kN	
GN 32-50-M8-40-A1-*	50	M 8	40	18	26	25	45	17	8	130
GN 32-50-M8-50-A1-*	50	M 8	50	18	26	25	45	17	8	130
GN 32-50-M8-63-A1-*	50	M 8	63	18	26	25	45	17	8	140
GN 32-50-M10-50-A1-*	50	M 10	50	18	26	25	45	17	10	130
GN 32-50-M10-60-A1-*	50	M 10	60	18	26	25	45	17	10	149
GN 32-50-M10-80-A1-*	50	M 10	80	18	26	25	45	17	10	160
GN 32-50-M10-100-A1-*	50	M 10	100	18	26	25	45	17	10	180
GN 32-50-M12-60-A1-*	50	M 12	60	18	26	25	45	17	12	160
GN 32-50-M12-80-A1-*	50	M 12	80	18	26	25	45	17	12	170
GN 32-50-M12-100-A1-*	50	M 12	100	18	26	25	45	17	12	195
GN 32-50-M12-125-A1-*	50	M 12	125	18	26	25	45	17	12	280
GN 32-60-M8-40-A1-*	60	M 8	40	19	27	25	50	17	8	292
GN 32-60-M8-50-A1-*	60	M 8	50	19	27	25	50	17	8	296
GN 32-60-M8-63-A1-*	60	M 8	63	19	27	25	50	17	8	180
GN 32-60-M10-50-A1-*	60	M 10	50	19	27	25	50	17	10	200
GN 32-60-M10-60-A1-*	60	M 10	60	19	27	25	50	17	10	200
GN 32-60-M10-80-A1-*	60	M 10	80	19	27	25	50	17	10	282
GN 32-60-M10-100-A1-*	60	M 10	100	19	27	25	50	17	10	226
GN 32-60-M12-60-A1-*	60	M 12	60	19	27	25	50	17	12	220
GN 32-60-M12-80-A1-*	60	M 12	80	19	27	25	50	17	12	230
GN 32-60-M12-100-A1-*	60	M 12	100	19	27	25	50	17	12	242
GN 32-60-M12-125-A1-*	60	M 12	125	19	27	25	50	17	12	260

GN 32-S/SK

Description	d1	d2	l1	h1	h3	l8	l9	A/F 1	Static load in kN	
GN 32-80-M8-40-A1-*	80	M 8	40	20	28	30	70	17	8	300
GN 32-80-M8-50-A1-*	80	M 8	50	20	28	30	70	17	8	304
GN 32-80-M8-63-A1-*	80	M 8	63	20	28	30	70	17	8	307
GN 32-80-M10-50-A1-*	80	M 10	50	20	28	30	70	17	10	334
GN 32-80-M10-60-A1-*	80	M 10	60	20	28	30	70	17	10	339
GN 32-80-M10-80-A1-*	80	M 10	80	20	28	30	70	17	10	348
GN 32-80-M10-100-A1-*	80	M 10	100	20	28	30	70	17	10	380
GN 32-80-M12-60-A1-*	80	M 12	60	20	28	30	70	17	12	320
GN 32-80-M12-80-A1-*	80	M 12	80	20	28	30	70	17	12	340
GN 32-80-M12-100-A1-*	80	M 12	100	20	28	30	70	17	12	340
GN 32-80-M12-125-A1-*	80	M 12	125	20	28	30	70	17	12	380
GN 32-100-M8-40-A1-*	100	M 8	40	21	29	30	80	17	8	426
GN 32-100-M8-50-A1-*	100	M 8	50	21	29	30	80	17	8	430
GN 32-100-M8-63-A1-*	100	M 8	63	21	29	30	80	17	8	433
GN 32-100-M10-50-A1-*	100	M 10	50	21	29	30	80	17	10	460
GN 32-100-M10-60-A1-*	100	M 10	60	21	29	30	80	17	10	465
GN 32-100-M10-80-A1-*	100	M 10	80	21	29	30	80	17	10	474
GN 32-100-M10-100-A1-*	100	M 10	100	21	29	30	80	17	10	484
GN 32-100-M12-60-A1-*	100	M 12	60	21	29	30	80	17	11	497
GN 32-100-M12-80-A1-*	100	M 12	80	21	29	30	80	17	11	492
GN 32-100-M12-100-A1-*	100	M 12	100	21	29	30	80	17	11	500
GN 32-100-M12-125-A1-*	100	M 12	125	21	29	30	80	17	11	520

Weight Version S





\* Complete with version of the Levelling feet (Hexagon socket at the top / Wrench at the bottom)

U without nut  
UK with nut

GN 32-U/UK

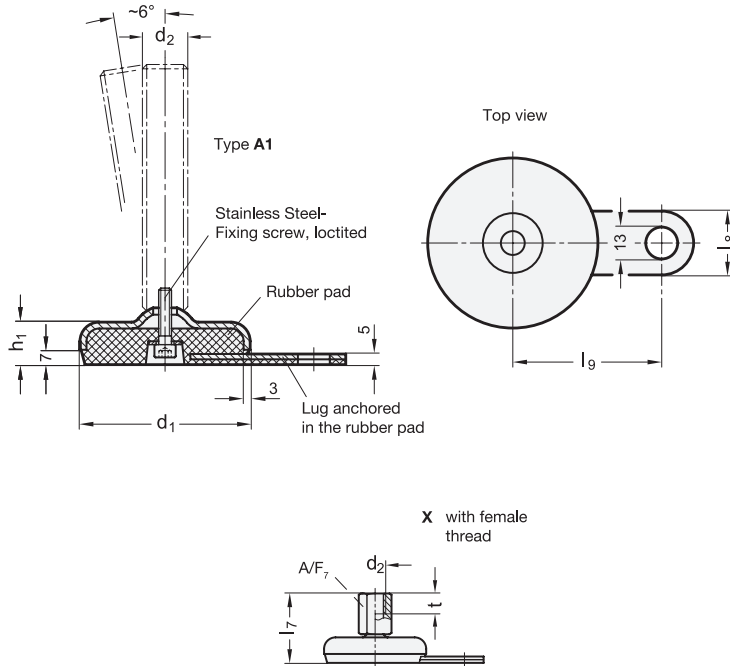
Description	d1	d2	l1	h1	h4	l8	l9	A/F <sub>2</sub>	A/F <sub>3</sub>	Static load in kN	⚖
GN 32-50-M16-75-A1-*	50	M 16	75	18	32	25	45	12	8	16	214
GN 32-50-M16-100-A1-*	50	M 16	100	18	32	25	45	12	8	16	250
GN 32-50-M16-125-A1-*	50	M 16	125	18	32	25	45	12	8	16	280
GN 32-50-M16-150-A1-*	50	M 16	150	18	32	25	45	12	8	16	330
GN 32-50-M16-200-A1-*	50	M 16	200	18	32	25	45	12	8	16	380
GN 32-60-M16-75-A1-*	60	M 16	75	19	33	25	50	12	8	16	260
GN 32-60-M16-100-A1-*	60	M 16	100	19	33	25	50	12	8	16	280
GN 32-60-M16-125-A1-*	60	M 16	125	19	33	25	50	12	8	16	286
GN 32-60-M16-150-A1-*	60	M 16	150	19	33	25	50	12	8	16	360
GN 32-60-M16-200-A1-*	60	M 16	200	19	33	25	50	12	8	16	430
GN 32-80-M16-75-A1-*	80	M 16	75	20	34	30	70	12	8	12	380
GN 32-80-M16-100-A1-*	80	M 16	100	20	34	30	70	12	8	12	417
GN 32-80-M16-125-A1-*	80	M 16	125	20	34	30	70	12	8	12	440
GN 32-80-M16-150-A1-*	80	M 16	150	20	34	30	70	12	8	12	477
GN 32-80-M16-200-A1-*	80	M 16	200	20	34	30	70	12	8	12	550
GN 32-80-M20-75-A1-*	80	M 20	75	20	35	30	70	15	10	12	450
GN 32-80-M20-100-A1-*	80	M 20	100	20	35	30	70	15	10	12	480
GN 32-80-M20-125-A1-*	80	M 20	125	20	35	30	70	15	10	12	540
GN 32-80-M20-150-A1-*	80	M 20	150	20	35	30	70	15	10	12	600
GN 32-80-M20-200-A1-*	80	M 20	200	20	35	30	70	15	10	12	680

GN 32-U/UK

Description	d1	d2	l1	h1	h4	l8	l9	A/F <sub>2</sub>	A/F <sub>3</sub>	Static load in kN	⚖
GN 32-80-M24-100-A1-*	80	M 24	100	20	38	30	70	19	12	12	550
GN 32-80-M24-125-A1-*	80	M 24	125	20	38	30	70	19	12	12	660
GN 32-80-M24-150-A1-*	80	M 24	150	20	38	30	70	19	12	12	700
GN 32-80-M24-200-A1-*	80	M 24	200	20	38	30	70	19	12	12	900
GN 32-100-M16-75-A1-*	100	M 16	75	21	35	30	80	12	8	11	520
GN 32-100-M16-100-A1-*	100	M 16	100	21	35	30	80	12	8	11	554
GN 32-100-M16-125-A1-*	100	M 16	125	21	35	30	80	12	8	11	582
GN 32-100-M16-150-A1-*	100	M 16	150	21	35	30	80	12	8	11	600
GN 32-100-M16-200-A1-*	100	M 16	200	21	35	30	80	12	8	11	680
GN 32-100-M20-75-A1-*	100	M 20	75	21	36	30	80	15	10	11	570
GN 32-100-M20-100-A1-*	100	M 20	100	21	36	30	80	15	10	11	600
GN 32-100-M20-125-A1-*	100	M 20	125	21	36	30	80	15	10	11	680
GN 32-100-M20-150-A1-*	100	M 20	150	21	36	30	80	15	10	11	656
GN 32-100-M20-200-A1-*	100	M 20	200	21	36	30	80	15	10	11	680
GN 32-100-M24-100-A1-*	100	M 24	100	21	39	30	80	19	12	11	740
GN 32-100-M24-125-A1-*	100	M 24	125	21	39	30	80	19	12	11	780
GN 32-100-M24-150-A1-*	100	M 24	150	21	39	30	80	19	12	11	861
GN 32-100-M24-200-A1-*	100	M 24	200	21	39	30	80	19	12	11	985

Weight Version U

Levelling elements 11



GN 32-X

Description	$d_1$	$d_2$	$l_7$	$h_1$	$l_8$	$l_9$	A/F 7	t	Static load in kN	
GN 32-50-M8-40-A1-X	50	M 8	40	18	25	45	14	8	8	182
GN 32-50-M10-43-A1-X	50	M 10	43	18	25	45	14	10	13	198
GN 32-50-M12-47-A1-X	50	M 12	47	18	25	45	17	12	16	233
GN 32-50-M16-52-A1-X	50	M 16	52	18	25	45	22	16	16	252
GN 32-60-M8-41-A1-X	60	M 8	41	19	25	50	14	8	8	236
GN 32-60-M10-44-A1-X	60	M 10	44	19	25	50	14	10	13	255
GN 32-60-M12-48-A1-X	60	M 12	48	19	25	50	17	12	16	280
GN 32-60-M16-53-A1-X	60	M 16	53	19	25	50	22	16	16	306
GN 32-80-M8-42-A1-X	80	M 8	42	20	30	70	14	8	8	340
GN 32-80-M10-45-A1-X	80	M 10	45	20	30	70	14	10	12	375
GN 32-80-M12-49-A1-X	80	M 12	49	20	30	70	17	12	12	390
GN 32-80-M16-54-A1-X	80	M 16	54	20	30	70	22	16	12	400
GN 32-80-M20-62-A1-X	80	M 20	62	20	30	70	27	20	12	420
GN 32-100-M8-43-A1-X	100	M 8	43	21	30	80	14	8	8	450
GN 32-100-M10-46-A1-X	100	M 10	46	21	30	80	14	10	11	448
GN 32-100-M12-50-A1-X	100	M 12	50	21	30	80	17	12	11	464
GN 32-100-M16-55-A1-X	100	M 16	55	21	30	80	22	16	11	499
GN 32-100-M20-63-A1-X	100	M 20	63	21	30	80	27	20	11	500

